

# Brush Roller Cleaner BRC-2000 / BRC-3000

## Operation Manual



Thank you for purchasing the BRC.  
Read these instructions thoroughly for proper use of this device.  
Make sure to read "Safety Notes" before you use the device.  
This information protects you from possible dangers during use.

Apollo Seiko Ltd.

## Safety Notes

This manual includes the important information to use the device safely. This also includes useful information to prevent avoiding injury or damaging property.

Please read this manual carefully prior to connecting or operating the BRC.

Keep this manual nearby the device all the time.

### Supply only specified voltage

Do not connect to a power supply greater than the specified voltage. If not, electrical shock and /or damage to the device may occur.

Make sure that the electrical outlet is properly grounded. If the outlet is not properly grounded, electrical shock and/or damage to the device may occur.

### Working ambient temperature and relative humidity

This device has been designed to use between 0~40 degree、10%~90%. Do not use this device under the condition exceeding here-in.

### Handle with care

Please be careful your fingers do not get caught in high-speed roller brushes.

Please make sure to turn off the power, when you replace brushes.

Please note water does not penetrate inside the device (including brushes.) It may cause electric shock or leak.

Please handle the device with care. If you drop or make a big impact/ vibration, it may cause malfunction.

### If you note malfunction on unit

If the device become a malfunction, turn off the power immediately and contact a dealer you purchased the device from.

### The warranty period

The warranty period is one year after the product is delivered.

If an unexpected malfunction which our company bears responsibility occurs within the warranty period, we repair it in free of charge.

### Immunity from responsibility

We do take NO responsibility on a damage caused by misuse, mistake, accident, uses in abnormal condition or natural disaster such as an earthquake, a fire etc.

We do take NO responsibility on contingency loss (Business loss、Business stop) caused by device stop.

We do take NO responsibility on a loss caused by the operation not mentioning on this manual.

We do take NO responsibility on a loss caused by a wrong connection with other equipment.

If for any reason the internal circuitry is tampered with altered or repaired without written consent of Apollo Seiko, the warranty is null and void. The customer is allowed to make necessary tooling adjustment, replace solder iron tips and make any necessary adjustments to the temperature controller.

## Index

Safety Notes .....	2
1. Specifications .....	4
2. Descriptions.....	5
3. Dimensions .....	6
4. Wiring Diagram.....	8
5. How to Use.....	9
6. Maintenance .....	10
7. Spare Parts .....	11

## 1. Specifications

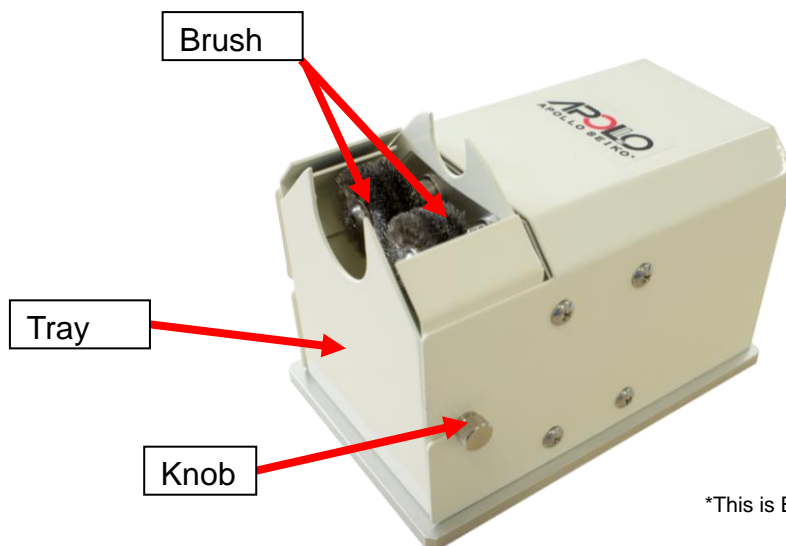
### Specifications

Dimensions	BRC-2000 : 139mm(W) X80mm(D) X55mm(H) BRC-3000 : 124mm(W) X80mm(D) X95mm(H)
Weight	Approx. 0.9kg
Brush	Φ25 SUS Brush (The spare is not attached)
Use	Remove carbide of iron tip
Control Input	DC24V 10mA
Input Power Supply	AC100~240V
Constitution	<ul style="list-style-type: none"> <li>▪ BRC-3000 Main unit : 1 set</li> <li>▪ AC Adaptor : 1 piece</li> <li>▪ I/O Connector : 1 piece</li> <li>▪ Fuse : 1 piece</li> <li>▪ Screw for the Base Plate : 2 pcs</li> <li>▪ Silicone Sheet for preventing scatter solder : 1 pcs (A silicone sheet is attached to only BRC-3000-S type)</li> </ul>

## 2. Descriptions

### BRC-3000

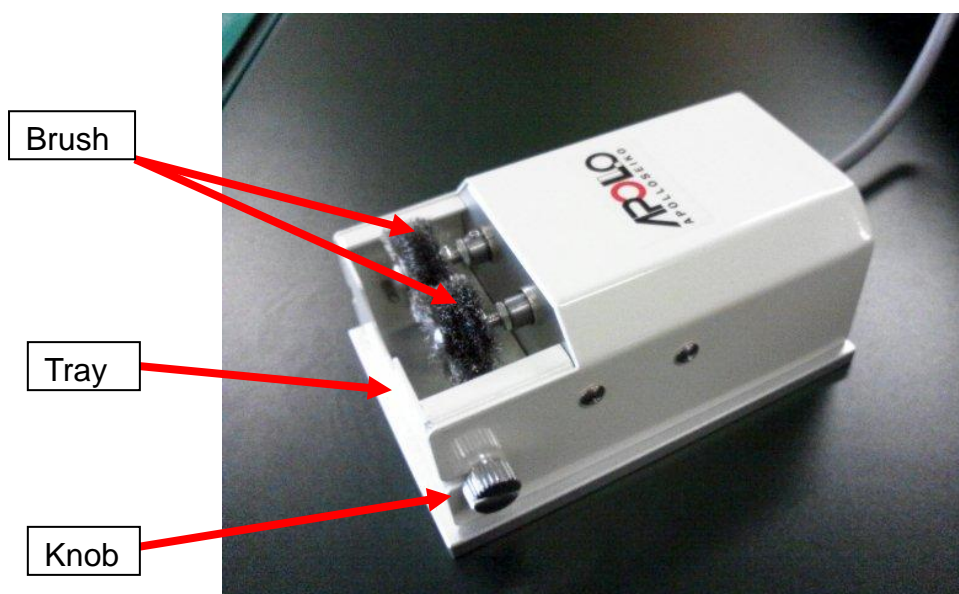
BRC-3000 is standard model to use silicone sheet to prevent solder spattering.



\*This is BRC-3000-S type.

### BRC-2000

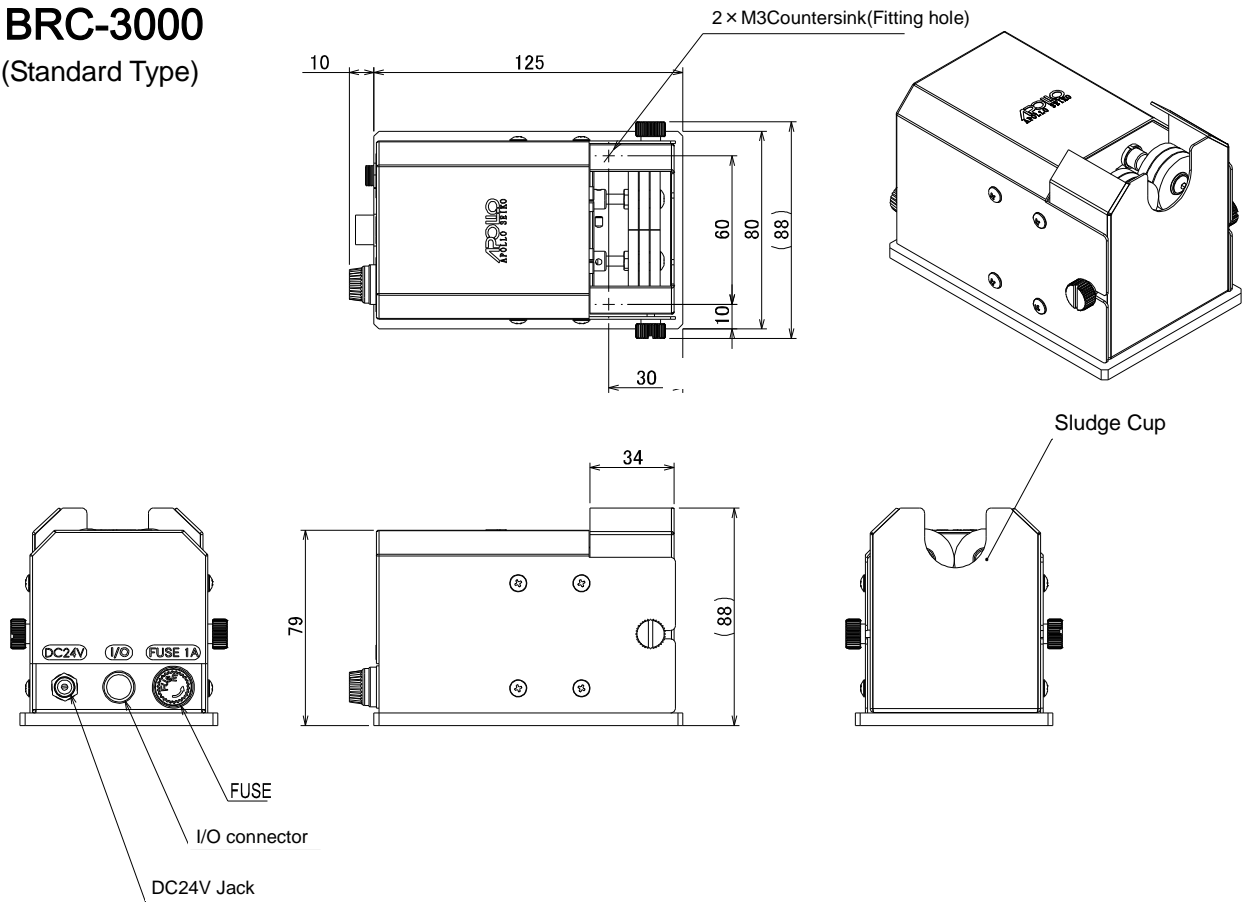
BRC-2000 is for compact robot use lower height model.



### 3. Dimensions

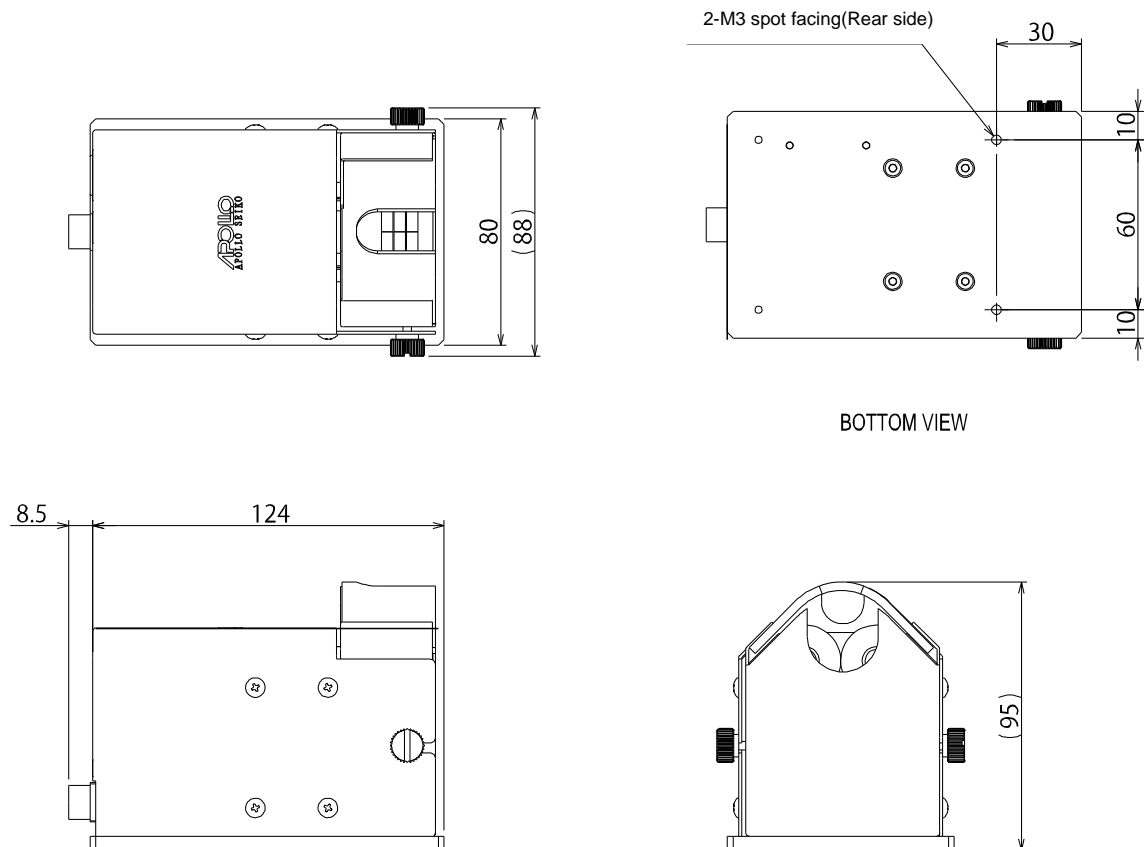
#### BRC-3000

(Standard Type)

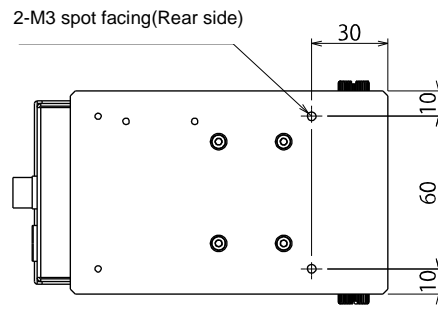
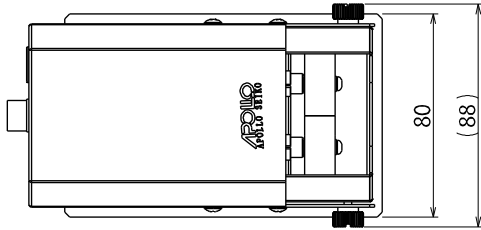


#### BRC-3000

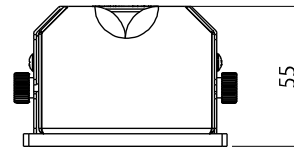
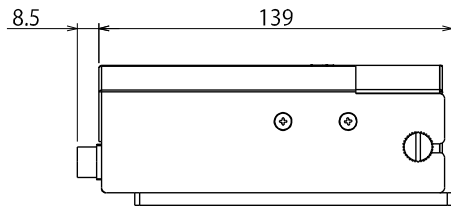
(Solder Spatter Preventing Type \*A silicone sheet is attached.)



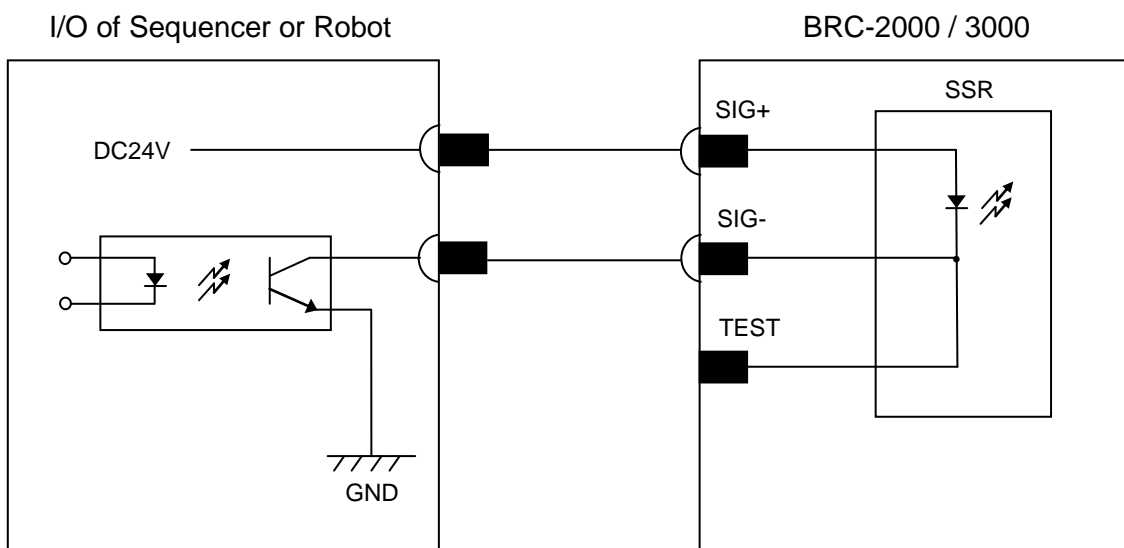
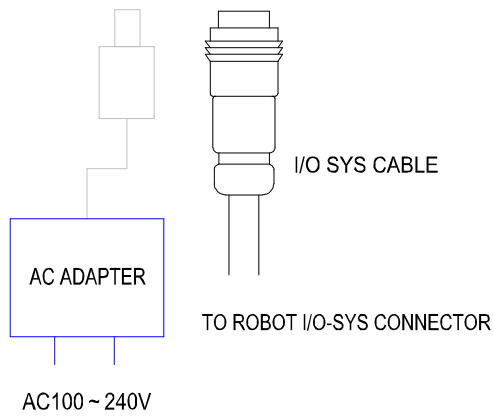
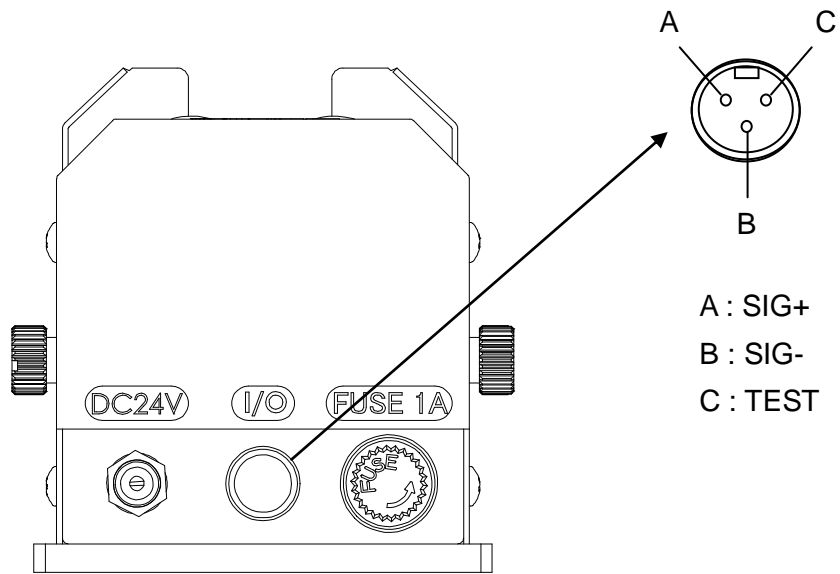
# BRC-2000



BOTTOM VIEW



### 4. Wiring Diagram




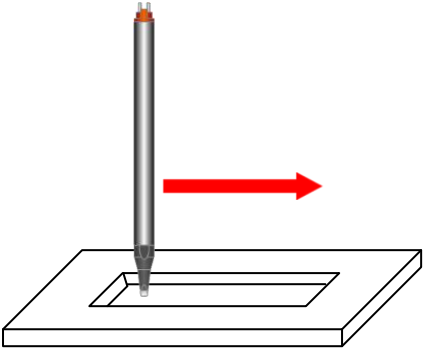
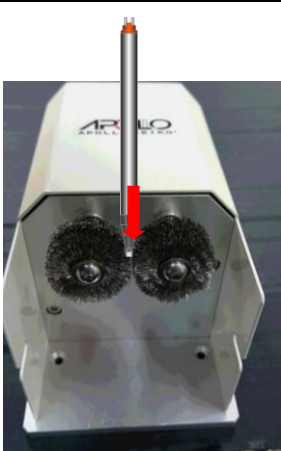
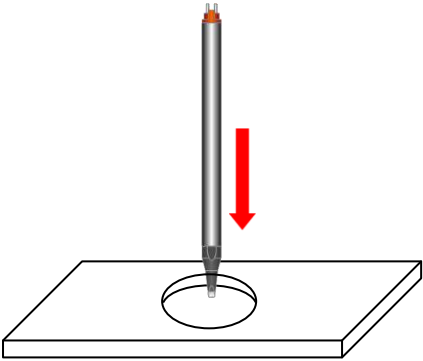
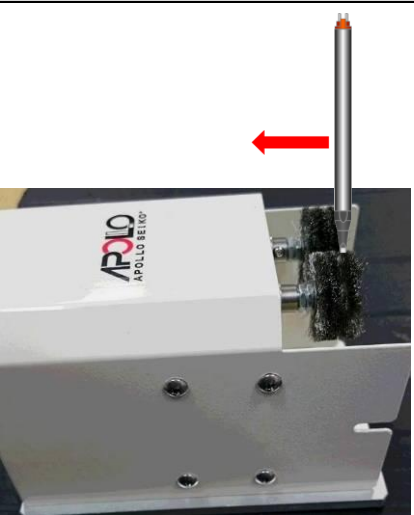
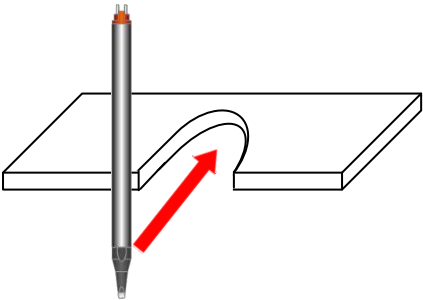
Set the driving current of the internal SSR of SIG+ and SIG- to 100mA or less.



## 5. How to Use

The followings are examples. (The following pictures were taken without a tray.)

Please cut the silicone sheet according to the cleaning method.

Cleaning Examples	Silicone Sheet Cutting Examples
<p data-bbox="81 389 1513 441">Example 1) The iron cartridge is moved from a brush to the other brush.</p> 	
<p data-bbox="81 913 1513 965">Example 2) The iron cartridge is inserted to the center of the brushes.</p> 	
<p data-bbox="81 1458 1513 1509">Example 3) The iron cartridge is moved from the front toward the back of the main unit.</p> 	

6. Maintenance



Please turn off the power, when you work below.

**DO NOT touch the brushes, so that you are likely to get injured.**



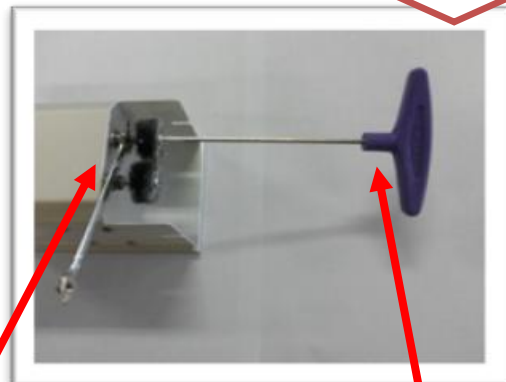
1. Loosen the knob and remove the tray.



2. Remove the set screw.





5. Screw the fixed hexagon wrench and take off the brushes.



3. Fix the shaft with a hexagon wrench.

4. Loosen the nuts on the side of the body.

## 7. Spare Parts

Descriptions	Parts Number	Remark
<p>Brush</p> 	BRC-3106	2 pcs per 1 set
<p>Silicone sheet</p> 	BRC-1100	3 pcs per 1 set



## **Apollo Seiko Ltd.**

2271-7 Jinba, Gotenba-shi,  
Shizuoka, Japan

TEL: +81-(0)550-88-2828

FAX: +81-(0)550-88-2830

E-mail: [sales@apolloseiko.co.jp](mailto:sales@apolloseiko.co.jp)

URL: <http://www.apolloseiko.co.jp>